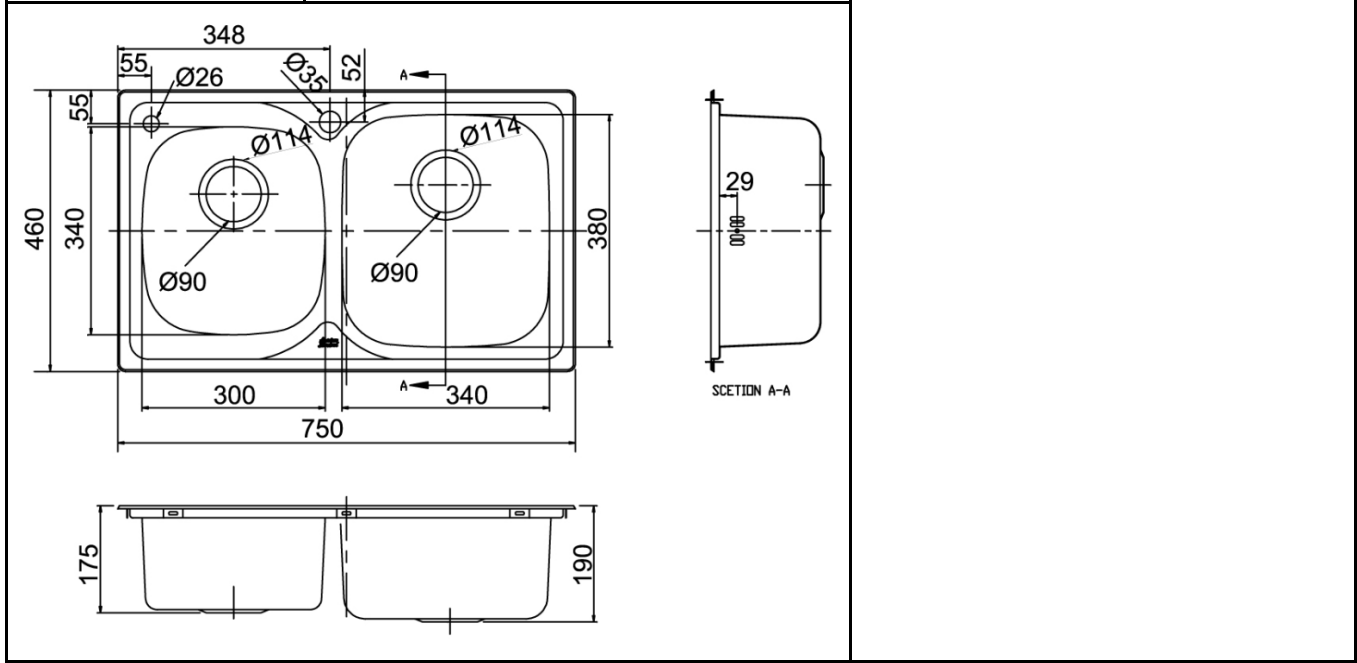




PROJECT		REF		REV	ITEM CODE	
LOCATION		DATE			PAGE	

SANITARY WARE SPECIFICATION SHEET

<p>Item Descriptions</p> <p>Dimensions</p> <p>Model</p> <p>Finish</p> <p>Manufacturer</p> <p>Source</p> <p>Contact Tel/Fax</p> <p>E-mail</p> <p>Website</p>	<p>American Standard (PRC) Stainless steel insert double bowl sink with taphole, overflow hole & waste fittings, upper-counter installation</p> <p>L750 x W460 x H190 mm (Overall) L340 x W380 x H190 mm (Large Bowl) L300 x W340 x H750 mm (Small Bowl)</p> <p>CF-X101.602</p> <p>Stainless Steel</p> <p>American Standard (PRC)</p> <p>Acme Sanitary Ware Co. Ltd Mr. Eric Wong/ Mr. Don Yuen (852) 2388-7171 / (852) 2710-8012 acme@acmesanitary.com.hk www.acmesanitary.com.hk</p>	<p align="center">Illustration/ Drawing</p>
--	--	---



Note:

** All information of the above is for the reference only. No prior notice is made if any changes.*